

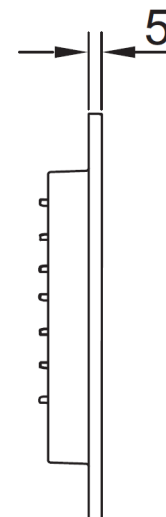
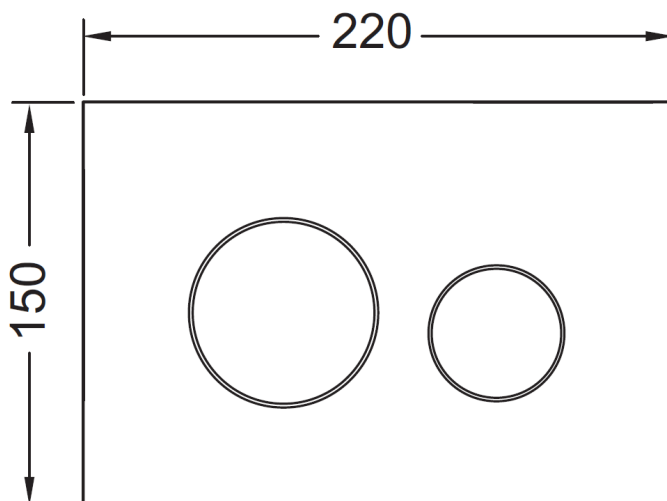
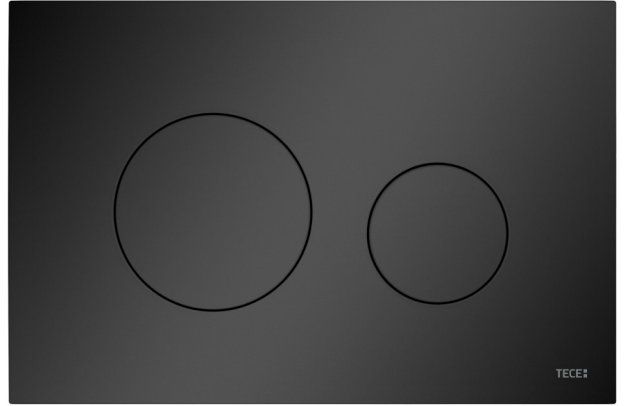
# TECEloop ABS Flush Button

**TECE**  
close to you

Gloss White -	9.240.920
Chrome -	9.240.921
Matte Chrome -	9.240.922
Gloss Black -	9.240.924
Matte Black -	9.240.925
Matte White -	9.240.926
Nickel -	9.240.935
Brass -	9.240.936
Red Bronze -	9.240.937
Graphite -	9.240.938

Suitable for use with all TECE Cisterns

Minimum wall thickness for button installation  
is 18mm (includes sheeting and tiles).



Proudly imported and distributed by  
Gro Agencies Pty Ltd  
Unit 2 / 37 Howe St, Osborne Park, WA, 6017  
P 08 9446 3288 E info@groagencies.com.au W www.groagencies.com.au

**gro**  
agencies